

**NOTE:**  
ALL SPLICES SHALL BE MADE IN AN ACCESSIBLE LOCATION WITH UL RATED CONNECTIONS, USING RAYCHEM GEL CAP SL KITS, OR AN APPROVED EQUIVALENT.

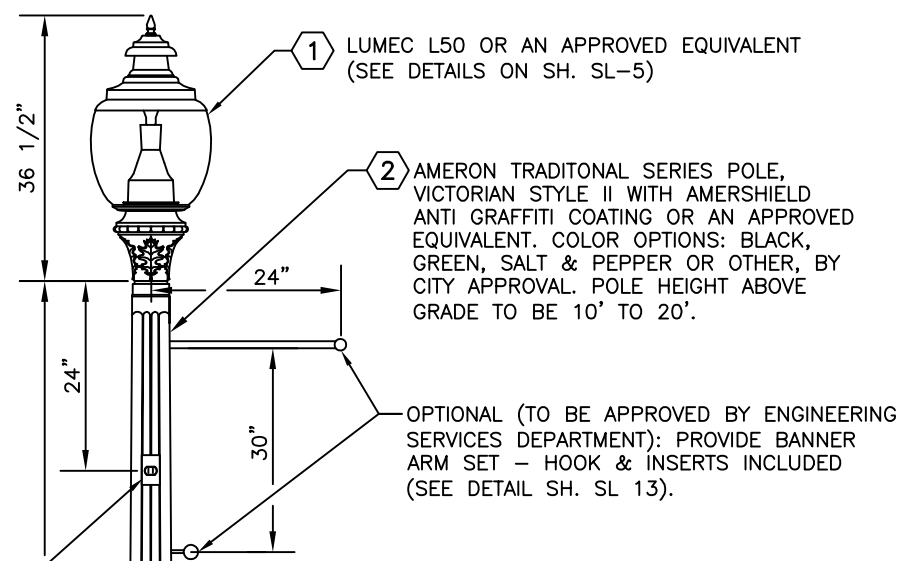
**OPTIONAL:**

(TO BE APPROVED BY ENGINEERING SERVICES DEPARTMENT): POLE MANUFACTURER TO INSERT SINGLE C.G.F.I. RECEPTACLE W/ WEATHER-PROOF COVER

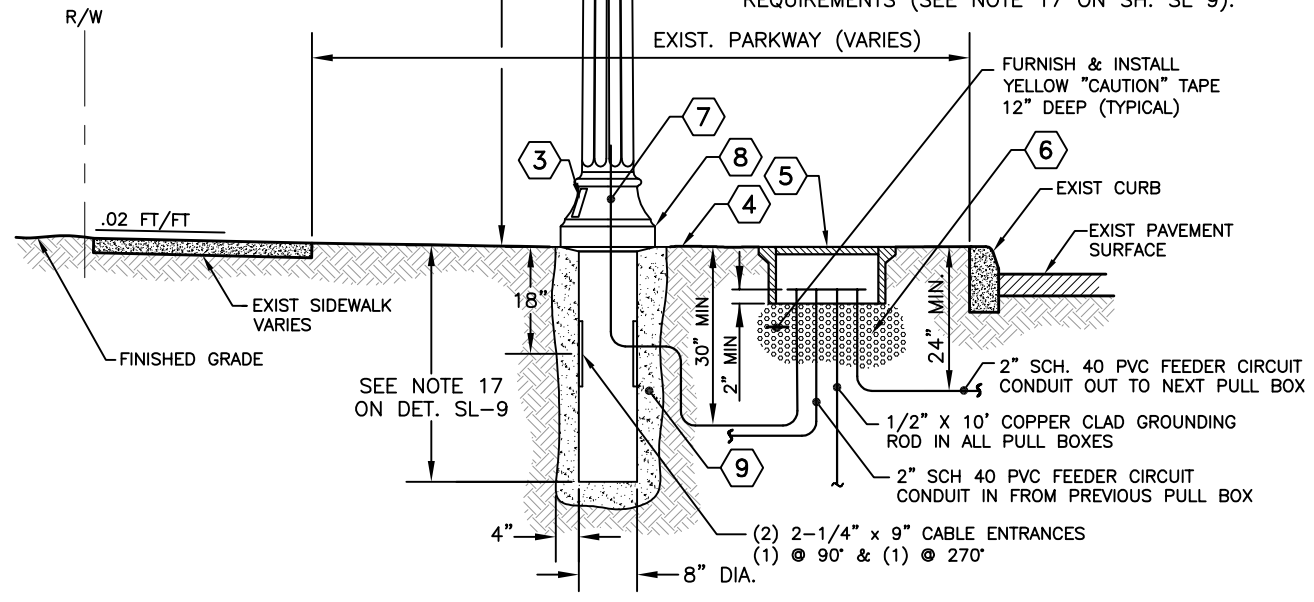
**ENGINEERING SERVICES DEPARTMENT RECOMMENDS:**

\*10' POLE HEIGHTS ABOVE GRADE FOR RESIDENTIAL STREETS WITH NO RECEPTACLES OR BANNER ARMS.

\*13' TO 20' POLE HEIGHTS ABOVE GRADE FOR COMMERCIAL AND INDUSTRIAL AREAS. RECEPTACLES AND BANNER ARMS ARE ALLOWED, AS PER ELECTRICAL DESIGN CRITERIA, AND MUST BE POWDER COATED TO MATCH THE POLE COLOR.



- 3 4" x 6" HANDHOLE W/ RECESSED CAST ALUM. FRAME & FLUSH COVER AT 0" W/(2)1/4"-20 STAINLESS STEEL (S.S) TAMPERPROOF SCREWS. ALL HANDHOLES MUST FACE SIDEWALK (TYP).
- 4 FURNISH & INSTALL NEW SOD TO MATCH EXIST. ACROSS PARKWAY-2' MIN. AROUND EACH POLE (TYP).
- 5 FURNISH & INSTALL "NEWBASIS" PULL BOX (SEE DETAIL SH. SL 6) INSTALL FLUSH TO FINISHED GRADE (TYP).
- 6 PROVIDE & INSTALL 12" PEAROCK BED OVER COMPACTED GROUND.
- 7 FURNISH & INSTALL NEW #10 AWG POLE CIRCUIT W/ 3/4" SCH. 40 PVC CONDUIT.
- 8 POLE BASE - FLUSH WITH GROUND LINE.
- 9 CONTRACTOR TO AUGER 2' DIA. X 4'-6" DEEP HOLE. INSTALL POLE, PLUMB & BACKFILL AROUND BASE W/ #57 LIMESTONE (OR FDOT APPROVED ROAD SUBGRADE). COMPACT IN 6" INCREMENTS TO EXISTING FINISHED GRADE. POLE INSTALLATION SHALL MEET 140mph LOAD REQUIREMENTS (SEE NOTE 17 ON SH. SL 9).



REVISED: SEPT-2009	<b>STREET LIGHTS - AMERON TRADITIONAL SERIES POLE VICTORIAN STYLE II</b>	STANDARD DETAIL
ISSUED: SEPT - 2009	<b>CITY OF WEST PALM BEACH ENGINEERING SERVICES DEPT.</b>	SL-1